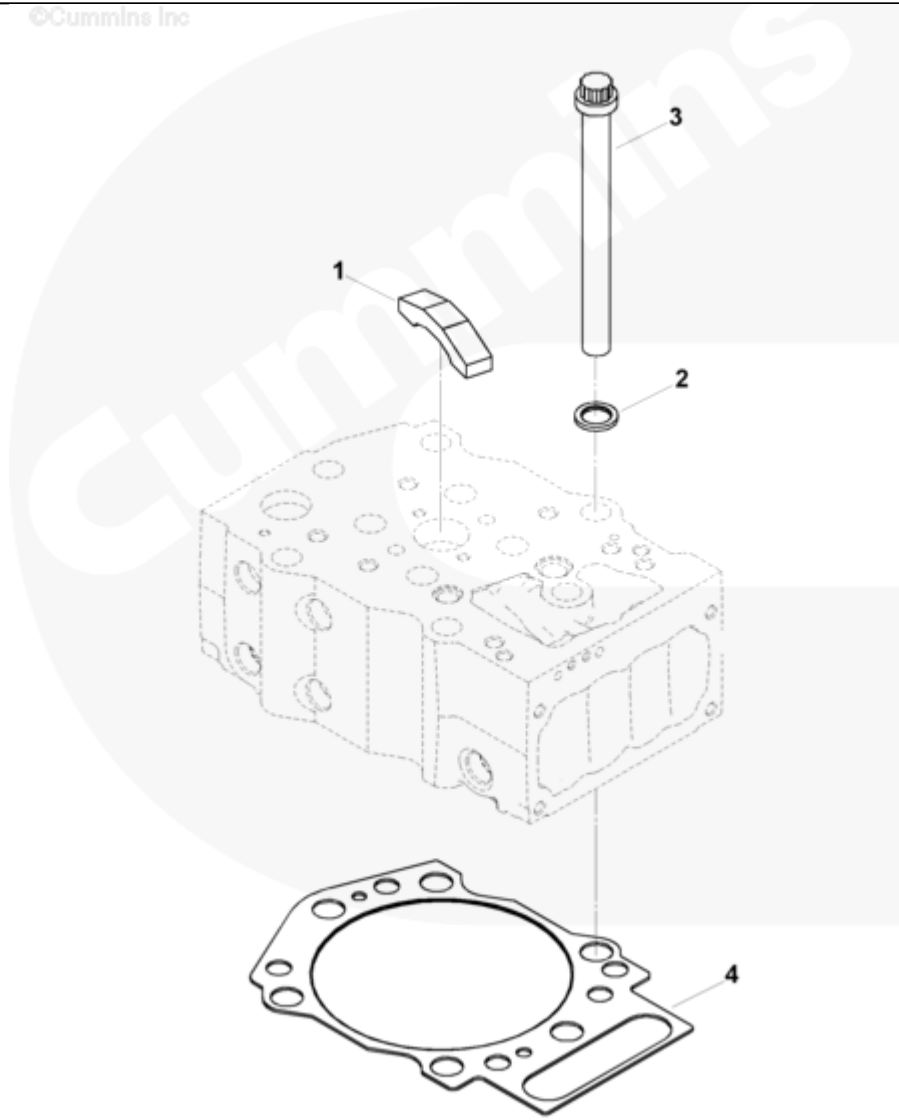




# Parts Catalog - Option Detail

Electronic Parts Catalog - Option Detail				
Option	Group	Graphic	Film Card	Date
PP2404-02	02.01.1	kn600gq	K38	12-JAN-04
<b>Engines</b>	GTA38, K38, KTA38GC CM558, KTAA38 K134G, QSK38 CM2150 K106, QSK38 CM2150 MCRS, QSK38 CM850 MCRS			

©Cummins Inc



kn600gq

[SMALL](#) | [MEDIUM](#) | [LARGE](#)

Cart	Ref No	Part Number	Part Description	Required	Remarks
<a href="#">View My Cart</a>					
		PP2404-02	Cylinder Head		

<input type="checkbox"/>	1	<a href="#">3086362</a>	Valve Crosshead	24	
<input type="checkbox"/>	2	<a href="#">3629962</a>	Plain Washer	72	
<input type="checkbox"/>	3	<a href="#">3032633</a>	Fracture Resistant Screw	72	3/4 - 16 X 8 in.
<input type="checkbox"/>	4	<a href="#">3634664</a>	Cylinder Head Gasket	12	

© 2019 Cummins Inc., Box 3005, Columbus, IN 47202-3005 U.S.A.  
Terms of Use and Disclaimers | Recommended System Requirements  
Need Assistance? Please click on the Contact Us button in the top right corner of any page.